

# Bonsheng Trade Co.,Ltd

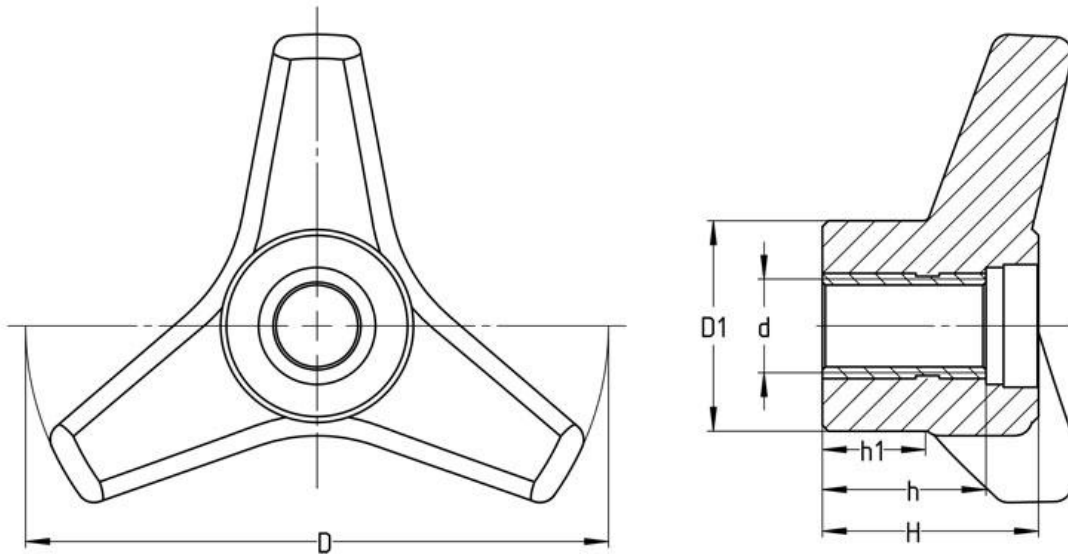
## BS-100522 Triangular Arrow Handle



Material:ABS

Color:Black

Main Insert: Powder Metallurgy or copper



BonSheng	D	d	H	D <sub>1</sub>	h	h <sub>1</sub>
BS-10052263	63	10	38	30	25	11
BS-10052280	80	12	48	35	30	14
BS-100522100	100	12	52	45	45	18

(订货示例)Order Example:BS-10052263-10