

Bonsheng Trade Co.,Ltd

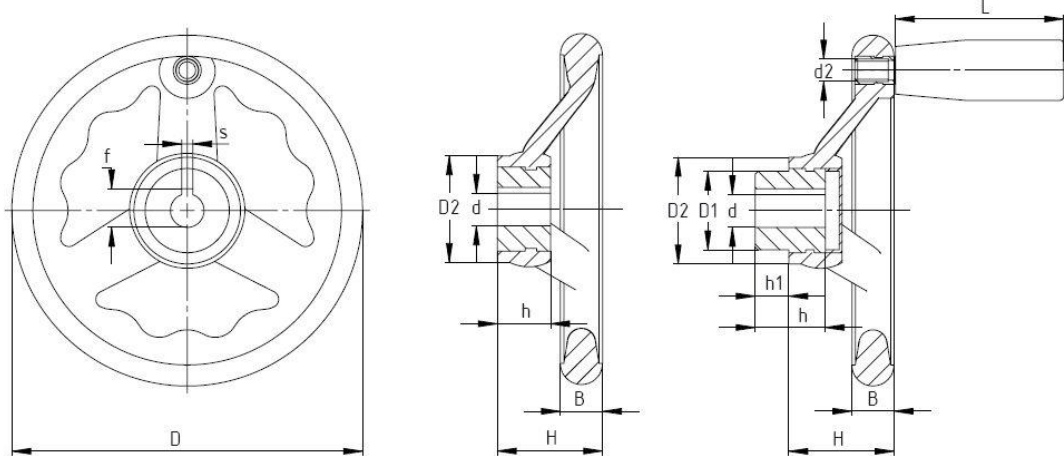
BS-W22 Three Arm Handwheel



Material:PA66

Color:Black

Main Insert:Copper



Bonsheng	D	d	h	h1
BS-W022100	100	12	18	4
BS-W022125	125	12	18	4
BS-W022160	160	16	20	5
BS-W022200	200	18	25	6

(订货示例) Order Example: BS-W022125-12