

Bonsheng Trade Co.,Ltd

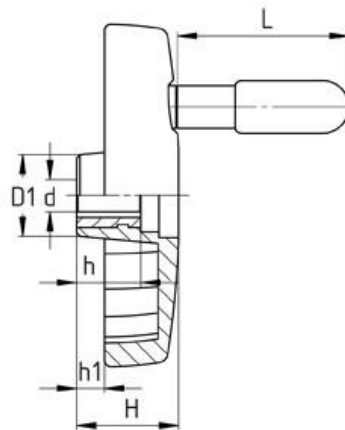
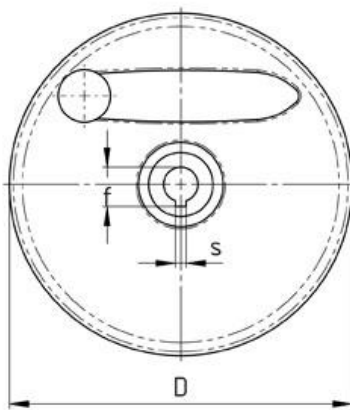
BS-W024 Plane Handwheel



Material: Reinforced Nylon

Color: Matte Black

Main Insert:Steel



Bonsheng	D	d	h	H	s	f	D1	L
BS-W02480	80	8	18	38	3	9.8	24	45
BS-W02480	80	12	18	38	3	9.8	24	45
BS-W024100	100	12	27	35	4	13.8	26	50
BS-W024100	100	14	27	35	4	13.8	26	50
BS-W024125	125	12	30	40	5	18.3	36	65
BS-W024125	125	14	30	40	5	18.3	36	65
BS-W024160	160	16	30	45	5	18.3	39	80
BS-W024200	200	18	36	53	6	20.8	50	90
BS-W024200	200	20	36	53	6	20.8	50	90

(订货示例) Order Example: BS-W024125-12 (d)