

Bonsheng Trade Co.,Ltd

BS-W023 Solid Handwheel

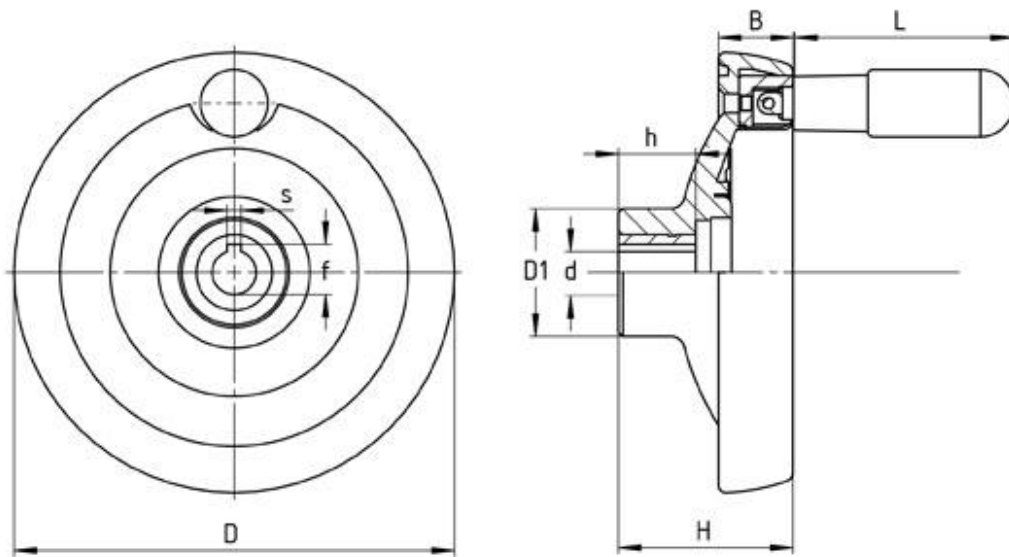


Material: Reinforced Nylon

Color: Black

Main Insert: Steel

Ring Color: white, yellow



Bonsheng	D	d	h	H	s	f	D1	L
BS-W023100	100	10	22	60	3	11.4	32	49
BS-W023100	100	12	22	60	4	13.8	32	49
BS-W023125	125	12	27	65	4	13.8	36	57
BS-W023160	160	16	28	80	5	18.3	46	64
BS-W023200	200	18	31	90	6	20.8	51	68

(订货示例)Order Example: BS-W023100-10