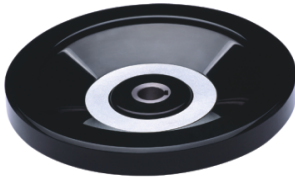


# Bonsheng Machinery Accessories Co., Ltd

## Full scale hand wheel W-005

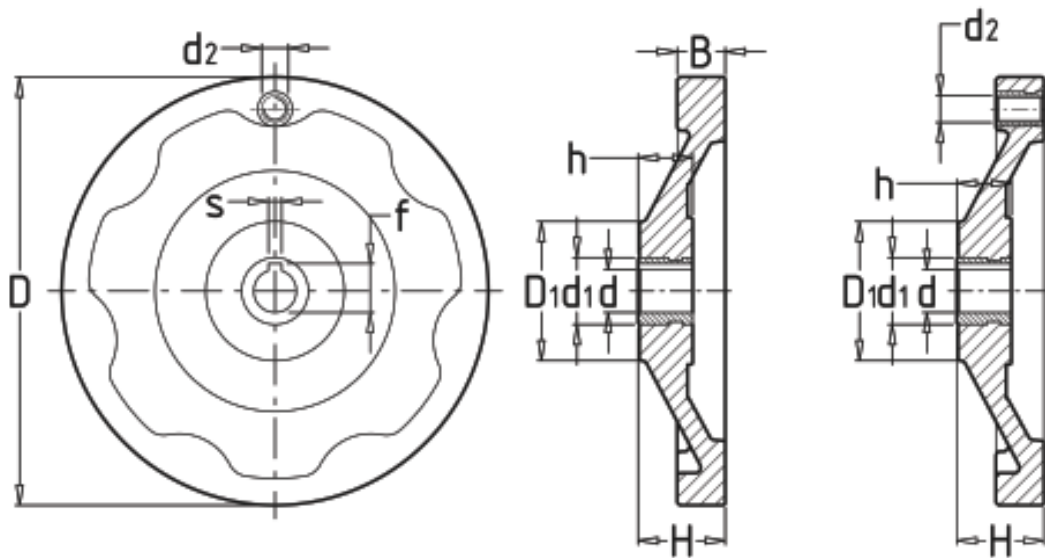


**Material:** Bakelite

**Color:** Black

**Special requirements:**

The diameter of internal control can be required of customer's order.



Art	D	D <sub>1</sub>	H	B	d	h	f	s	d <sub>1</sub>	d <sub>1</sub>
W005063	63	28	20.5	13	8	16	9	2	16	M6
W005080	80	30	21	13	10	16	11.4	3	18	M6
W005100	100	40	26	15	12	18	13.8	4	22	M6
W005125	125	46	30	18	12	18	1.8	4	22	M8
W005160	160	53	43	21	16	20	18.3	5	25	M10
W005175	175	56	40	19	18	30	20.8	6	28	/
W005200	200	64	40	22	18	25	14.8	6	28	M110
W005250	250	70	50.5	27	22	28	24.8	6	32	M12
W005320	320	70	66	46	22/25	36	28.3	8	36	/

+863182239799

www.bonsheng.com



+863182239699

Email:sales@bonsheng.com