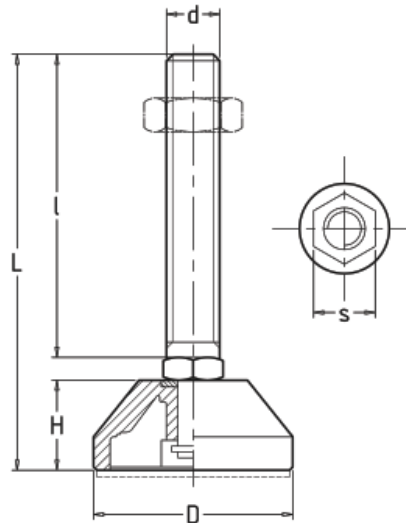


Bonsheng Machinery Accessories Co., Ltd

Floor-Anchor Mounting Foot MT400204



MATERIAL: Reinforced polyamide.

SURFACE: Satin.

COLOUR: Black .

INSERT: Zinc plated steel articulated, threaded stem.

ANCHORING TO THE FLOOR: The holes in the foot used for anchoring the mount to the floor, are supplied closed.

+863182239799

www.bonsheng.com





+863182239699

Email: sales@bonsheng.com

Bonsheng Machinery Accessories Co., Ltd

ART	Outer diameter (mm)	Inner diameter (inch)	Length (mm)	Heavy load (N)
MT400204801	80	M12	50,100,150	5880
MT400204802		M14		
MT400204803		M16		
MT400204804		M18		
MT400204805		3/4—10		
MT400204806		5/8—11		
MT400204807		1/2—13		
MT400204808		9/16—14		
MT4002041001	100	M16	50,100,150	6860
MT4002041002		M18		
MT4002041003		M20		
MT4002041004		M24		
MT4002041005		3/4—10		
MT4002041006		5/8—11		
MT4002041007		M16		
MT4002041008		M18		
MT4002041009		M24		
MT40020410010		5/8—11		
MT40020410011		3/4—10		
MT4002041231		123		
MT4002041232	M18			
MT4002041233	M24			
MT4002041234	3/4—10			
MT4002041235	5/8—11			

 +863182239799

 :+863182239699

www.bonsheng.com

Email:sales@bonsheng.com

© BONSHENG-Reproduction prohibited