

Bonsheng Machinery Accessories Co., Ltd

3-Lobe Knob HK100518



MATERIAL:

Phenolic

SURFACE:

Satin.

COLOUR:

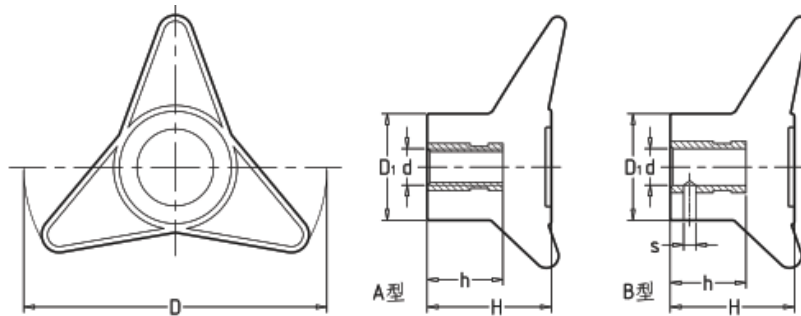
Black .

MAIN INSERT:

Brass blind threaded bush.

SPECIAL REQUESTS:

It is possible to supply the inserts in different materials on request and for quantities.



ART	d	D	D1	h	H	S (B)
HK100518080	10	80	30	25	38	3
HK100518100	12	100	35	25	50	4
HK100518130	12	130	25	25	52	4

★Order : HK100518100

+863182239799

www.bonsheng.com



+863182239699

Email:sales@bonsheng.com