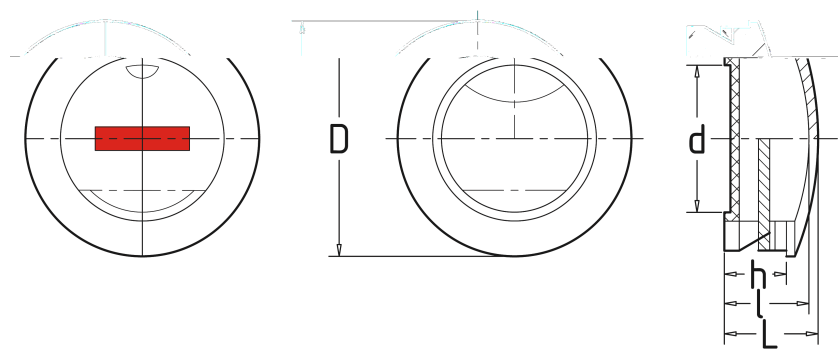


Bonsheng Machinery Accessories Co., Ltd

ROUND OIL LEVELER:PRESS-FIT FORM P200209



ART	D	d	H	H1	d 1
P20020912	22	12	15	10	20
P20020916	27	16	15	10	25
P20020920	34	20	16	13	32
P20020925	40	25	18	13	38
P20020932	48	32	18	13	45
P20020940	58	40	18	13	55

★Order: P20020940

+863182239799

www.bonsheng.com



+863182239699

Email:sales@bonsheng.com

© BONSHENG-Reproduction prohibited