

Bonsheng Machinery Accessories Co., Ltd

Solid Control Handwheel For Position Indicator With Revolving Handle P200202



MATERIAL:

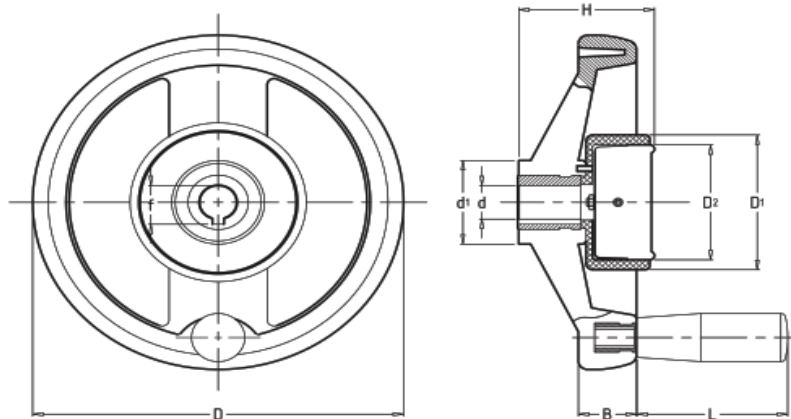
Reinforced and stabilised polyamide.

SURFACE:

Satin.

MAIN INSERT:

Zinc plated steel right through bored bush with H7 tolerance. Dial is Aluminum alloy.



Art	d	D	H	L
P200202	16	160	48	65

+863182239799

www.bonsheng.com



+863182239699

Email: sales@bonsheng.com