

Bonsheng Machinery Accessories Co., Ltd

Crank Handle With Smooth Insert And Revolving Handle HK100402



MATERIAL:

Reinforced polyamide.

Oils and greases resistant.

SURFACE:

Satin.

COLOUR:

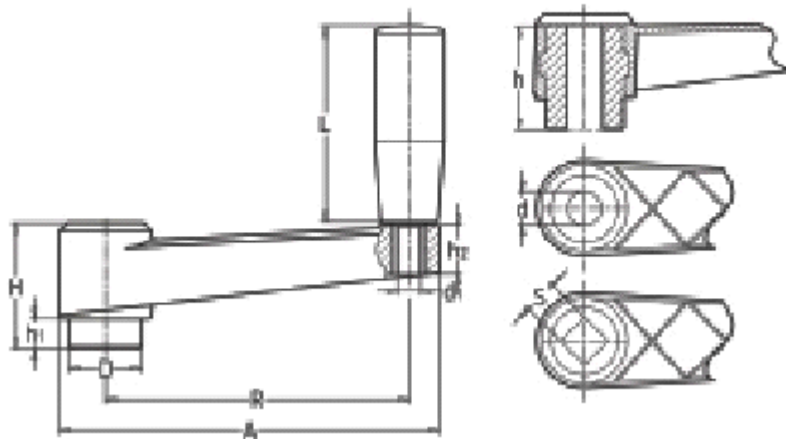
Black (RAL 9011).

MAIN INSERT:

Zinc plated steel blind bored bush with H7 tolerance.

SIDE INSERT:

Brass right through threaded bush



Art	R	A	d	s	h	h 1	H	L	D
HK100402080	80	107	10	10*10	33	10	36	50	22
HK100402100	100	135	12	12*12	36	10	40	63	24
HK100402125	125	160	14	14*14	42	12	45	63	30
HK100402160	160	195	16	16*16	50	18	55	80	44

★Order:HK100402160

+863182239799

www.bonsheng.com



+863182239699

Email:sales@bonsheng.com

© BONSHENG-Reproduction prohibited