

Bonsheng Machinery Accessories Co., Ltd

Folding Handle HK100108



MATERIAL:

Reinforced polyamide. Oils and greases resistant.

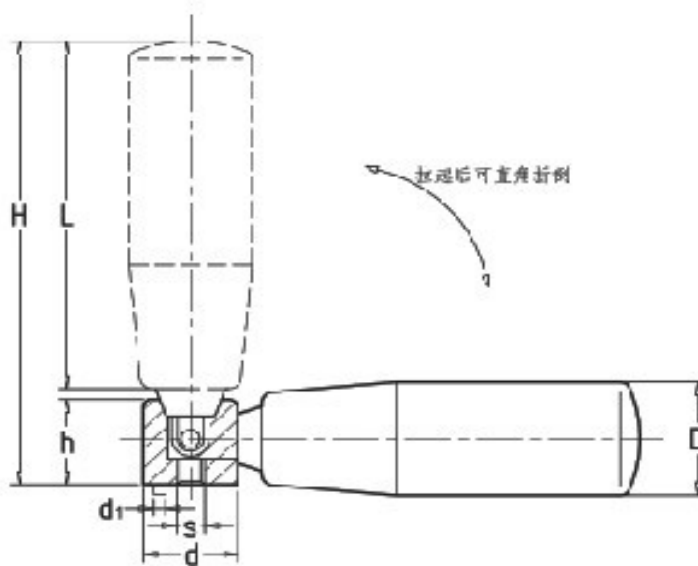
1011 is made of steel and polyamide

1012 is made of steel and bakelite

SURFACE: Satin.

SPECIAL REQUESTS:

- It is possible to supply the inserts with different treatment-finishes, on request and for quantities



Art	L	d	D	S	H	h	Folding angle
HK100108065	65	20	20	M6	82	19	90°
HK100108080	80	20	20	M6	99	19	90°
HK100108050	50	16	22	M5	66	16	90°
HK100108063	63	20	25	M6	82	19	90°
HK100108080	80	20	26	M6	99	19	90°
HK100108100	100	20	28	M6	119	19	90°

★Order: HK100108080

+863182239799

www.bonsheng.com



+863182239699

Email: sales@bonsheng.com