

Bonsheng Machinery Accessories Co., Ltd

Solid Handwheels with Double Handle W009



Material:

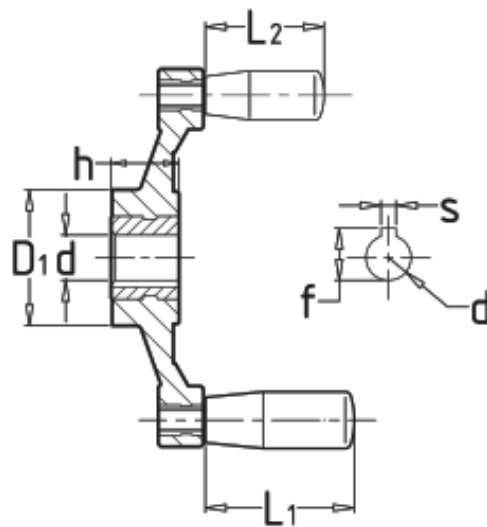
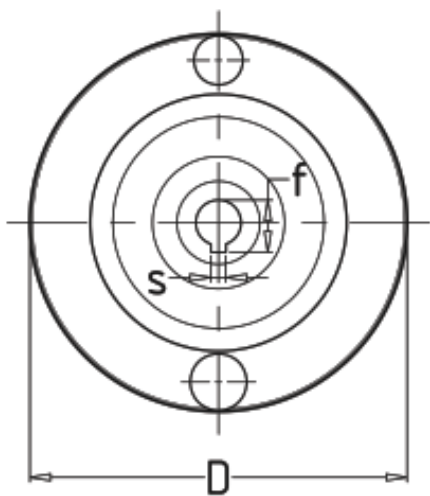
phenolic resin

Color:

Black

Special requirements:

the diameter of internal control can
Number and requirements of the custom



Art	D	D ₁	d	h	L ₁	L ₂	f	s
W-009063	63	28	8	16	25	32	9	2
W-009080	80	30	12	16	32	50	11.4	3
W-009100	100	40	12	18	50	60	13.8	4

★Order: W-009080

+863182239799

www.bonsheng.com



+863182239699

Email:sales@bonsheng.com