

Bonsheng Machinery Accessories Co., Ltd

Solid Handwheels W008



Material:

phenolic resin

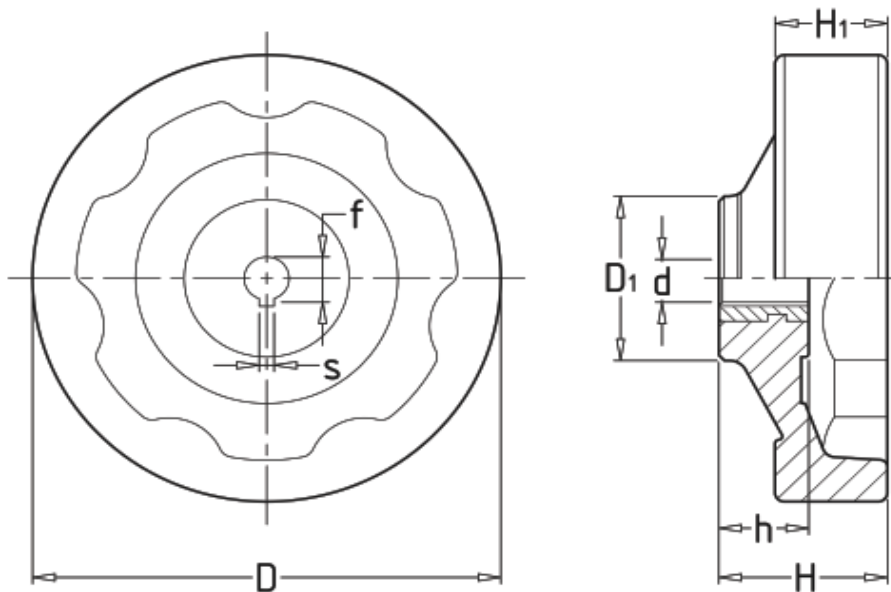
Color:

Black

Special requirements:

the diameter of internal control can

Number and requirements of the custom



Art	D	D ₁	H	H ₁	d	h
W-008125	125	47	46	32	15	27
w-008127	127	47	46	31	14	26

★Order: W-008127

+863182239799

www.bonsheng.com



+863182239699

Email:sales@bonsheng.com