

# Bonsheng Machinery Accessories Co., Ltd

## **Indexed Clamping Lever With Threaded Stud HK-100301**



**MATERIAL:**

Reinforced zinc-aluminium alloy

**SURFACE:**

Satin.

LEVER BODY AND

INSERT COLOUR:

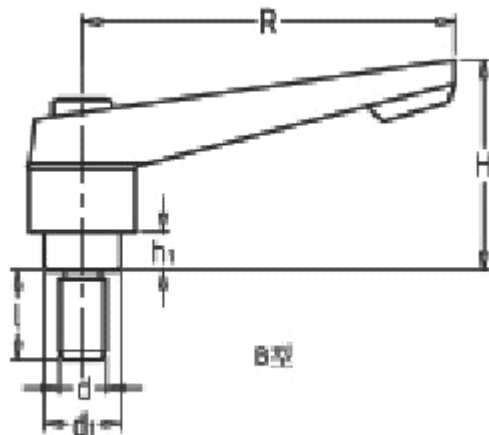
Black (RAL 9011).

**MAIN INSERT:**

Zinc plated steel threaded stud.

**FIXING SCREW:**

Black-oxide treated screw



Art	R	d	H	h	h 1	d 1	L
HK100301050	50	M6	40	10	8	9.5	10-40
HK100301063	63	M8	43	14	10	13	15-40
HK100301080	80	M10	55	18	12	16	15-50
HK100301095	95	M12	63	20	15	19	15-50
HK100301114	114	M16	75	25	18	23	20-50

★Order:HK100301050

+863182239799

www.bonsheng.com

+863182239699

Email:sales@bonsheng.com