

# Bonsheng Machinery Accessories Co., Ltd

## Ball handle with threaded stud

## HK-100201



MATERIAL:

Bakelite.

SURFACE:

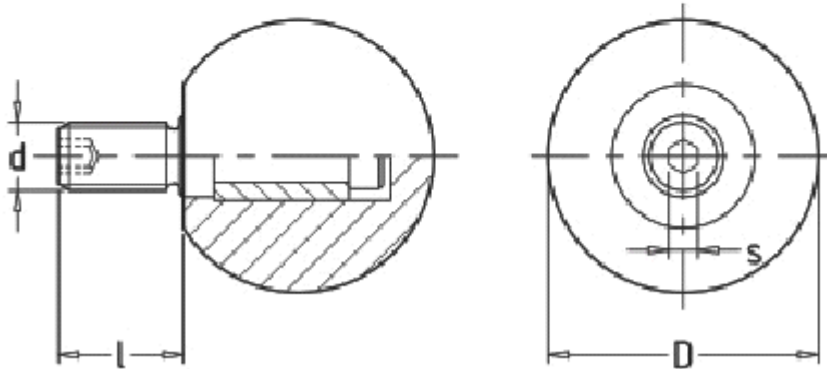
Satin.

COLOUR:

Black (RAL 9011).

REVOLVING INSERT:

Zinc plated steel threaded stud  
with hexagon socket head.



Art	d	L	D
HK100201035	M8	15	35
HK100201040	M10	18	40
HK100201050	M12	20	50

★Order:HK100201035

+863182239799

www.bonsheng.com

+863182239699

Email:sales@bonsheng.com

© BONSHENG-Reproduction prohibited