

Bonsheng Machinery Accessories Co., Ltd

Long Round Handle HK100207



MATERIAL:

Bakelite

SURFACE:

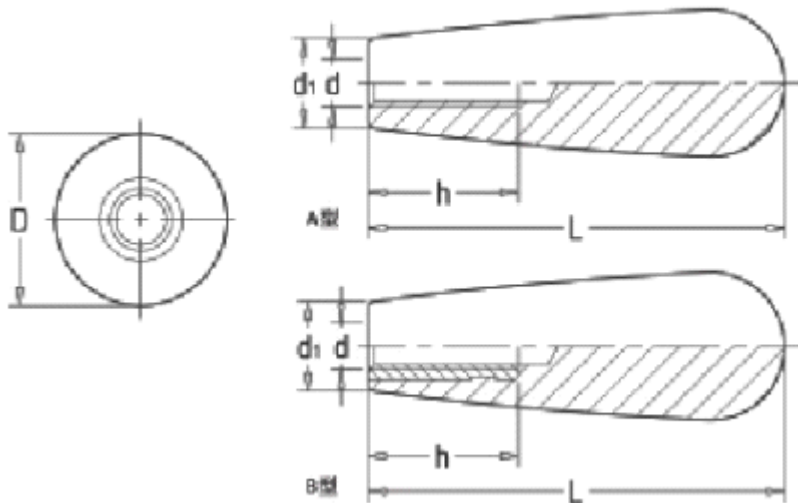
Satin.

COLOUR:

Black (RAL 9011).

MAIN INSERT:

Female threaded blind hole obtained by moulding the plastic or brass blind threaded bush.



Art	H	d	D	d 1	h (B)	h (A)
HK100207042	42	M6	25.5	12	20	15
HK100207069	69	M10	26	14.5	20	25
HK100207080	80	M10	35	22	20	25

★Order:HK100207080

+863182239799

www.bonsheng.com



+863182239699

Email:sales@bonsheng.com