

Bonsheng Machinery Accessories Co., Ltd

Three arm disc hand wheel W-004

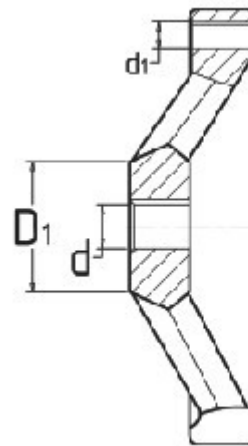
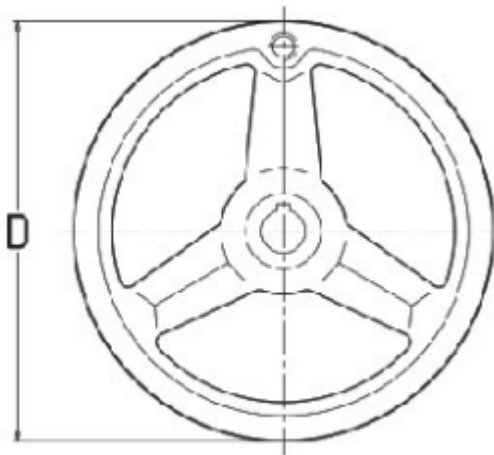


MATERIAL: cast iron

SURFACE: Electroplated

Special requirements:

the diameter of internal control can
number and requirements of the custom



Art	D	d	D1	d 1
W-004090	90	10	22	M6
W-004100	100	12	28	M6
W-004125	125	12	32	M8
W-004160	160	16	36	M10
W-004200	200	18	45	M10
W-004250	250	20	55	M12
W-004320	320	25	65	M12
W-004400	400	25	75	M12
W-004500	500	35	85	M12

★**Order:** W-004090

☎ +863182239799

www.bonsheng.com



+863182239699

Email:sales@bonsheng.com

© BONSHENG-Reproduction prohibited