

# Bonsheng Machinery Accessories Co., Ltd

## Ball With Threaded Insert **HK-100202**



MATERIAL:

Bakelite

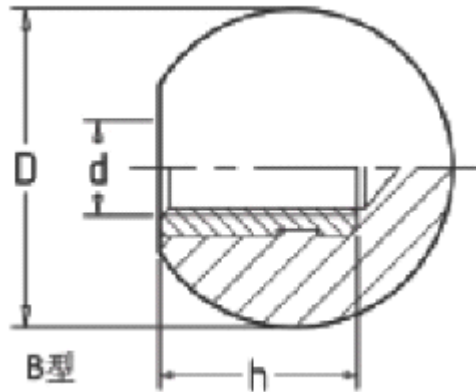
SURFACE: Satin.

MAIN INSERT:

Brass blind threaded bush.

SPECIAL REQUESTS:

It is possible to supply the inserts in different materials and colors, on request and for quantities.



Art	Description	D	d	h
HK10020201	M3-6	16	M3	6
HK10020202	M4-8	16	M4	8
HK10020203	M5-10	20	M5	10
HK10020204	M5-10	20	M5	10
HK10020205	M6-12	22	M6	12
HK10020206	M5-10	22	M5	10
HK10020207	M6-12	25	M6	12
HK10020208	M6-12	25	M6	12
HK10020209	M8-16	30	M8	16
HK10020210	M8-16	32	M8	16
HK10020211	M8-16	32	M8	20
HK10020212	M10-20	35	M10	20

+863182239799

[www.bonsheng.com](http://www.bonsheng.com)




+863182239699

Email: [sales@bonsheng.com](mailto:sales@bonsheng.com)

# Bonsheng Machinery Accessories Co., Ltd

HK10020213	M10-20	40	M10	20
HK10020214	M10-20	40	M10	20
HK10020215	M12-25	50	M12	25
HK10020216	M12-25	50	M12	25
HK10020217	M14-28	50	M14	28
HK10020218	M16-28	50	M16	30

★Order:HK10020218

 +863182239799

[www.bonsheng.com](http://www.bonsheng.com)



+863182239699

Email:[sales@bonsheng.com](mailto:sales@bonsheng.com)