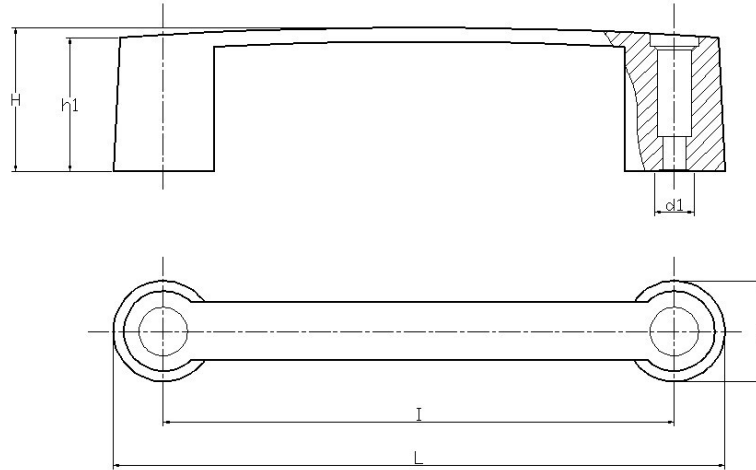


Bonsheng Machinery Accessories Co., Ltd

Bow-type handles with short dead-end thread and covering caps H1006



Material: reinforced polyamide
 Insert: brass moulded
 Color: handle is black cap is black.



Type	L	I	B	H	h 1	d 1
H100606093	119.5	93.4	26	35	29	M6
H100608093	119.5	93.4	26	35	29	M8
H100606117	145	117	29	40	34	M6
H100608117	145	117	29	40	34	M8
H100606132	163	132	31	45	38	M6
H100608132	163	132	31	45	38	M8
H100608179	213	179	35	50	42.5	M8
H100610179	213	179	35	50	42.5	M10
H100612179	213	179	35	50	42.5	M12

+863182239799

www.bonsheng.com



+863182239699

Email:sales@bonsheng.com