

# Bonsheng Machinery Accessories Co., Ltd

## Adjustable clamp lever nuts, reinforced version **HK100303**



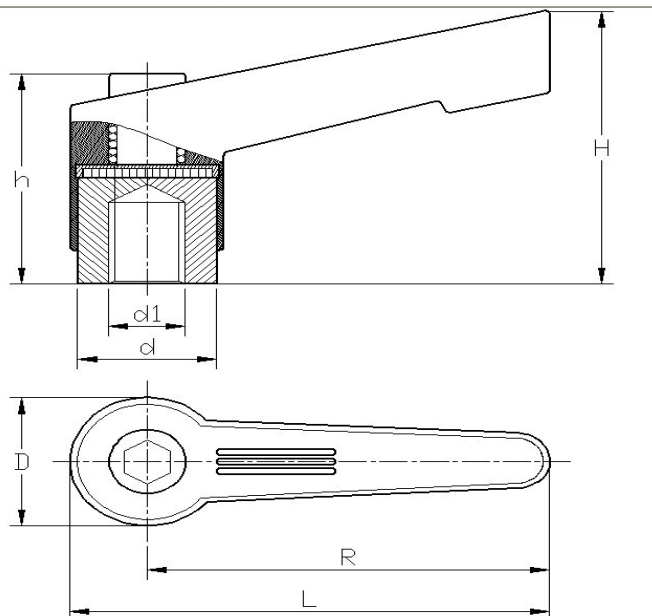
Clamping lever for exceptionally exacting requirements

Type: grip lever in reinforced polyamide

Steel parts is stainless steel

Color:black

Toothed wheel reinforced by die cast zinc toothed ring insert.



Art	L	R	H	D	d	h	d1
HK10030304049	49	42	33.5	14	10	24.5	M4
HK10030305049	49	42	33.5	14	10	24.5	M5
HK10030306049	49	42	33.5	14	10	24.5	M6
HK10030306074	74	65	45.5	18	13.5	31	M6
HK10030308074	74	65	45.5	18	13.5	31	M8
HK10030308089	89	78	54	22	16	36	M8
HK10030310089	89	78	54	22	16	36	M10
HK10030310105	105	92	64	25	19	43	M10
HK10030312105	105	92	64	25	19	43	M12

+863182239799

www.bonsheng.com



+863182239699

Email:sales@bonsheng.com

© BONSHENG-Reproduction prohibited