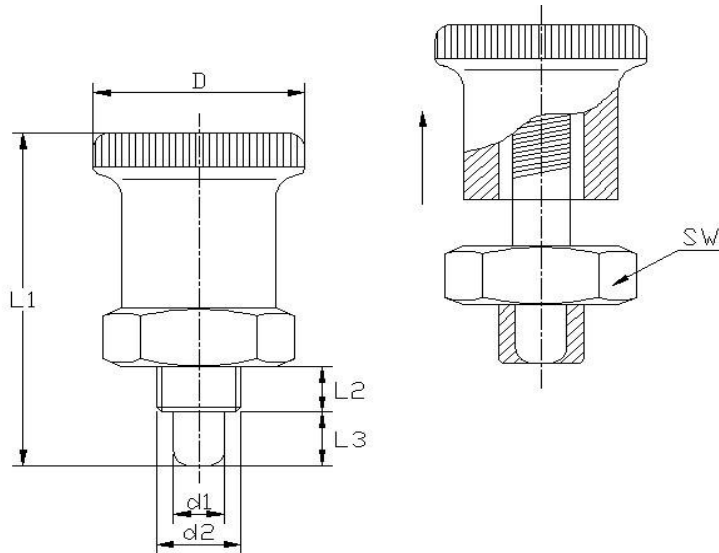


# Bonsheng Machinery Accessories Co., Ltd

## Mini-index Plungers with or without stop P200210



Index Bolt :Stainless steel

Sleeve:gunmetal steel finish or stainless steel

Standard color knob: black polyamide

Please note: particularly suited for screwing in thin-walled items.

This type is without stop, we can do it with stop follow customers' need, please in the " with stop" version the button is taken out, turned 30°and secured by the notch.

Art	D	I1	I2	I3	d1	d2	SW
P2002100625	25	45	10	6	6	M12*1.5	17
P2002100831	31	56	12	8	8	M16*1.5	19

+863182239799

www.bonsheng.com



+863182239699

Email:sales@bonsheng.com