

Bonsheng Machinery Accessories Co., Ltd

Crank handles with folding-away handle HK100403



MATERIAL:

Reinforced polyamide.
Oils and greases resistant.

SURFACE:

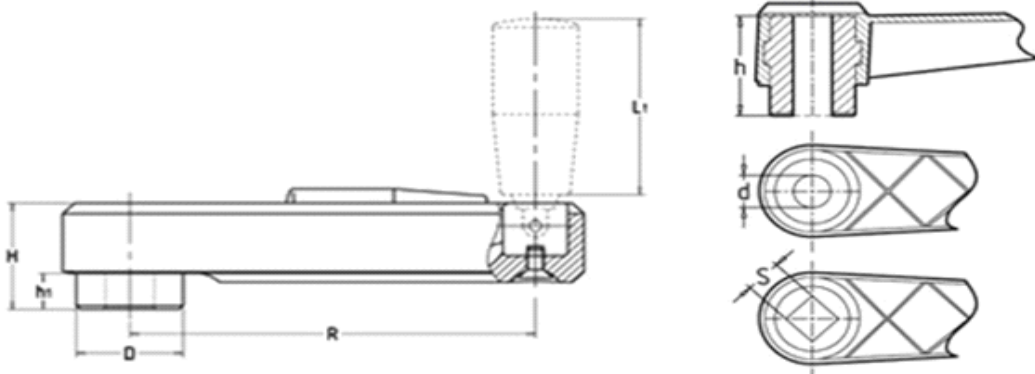
Satin.

COLOUR:

Black (RAL 9011).

MAIN INSERT:

Zinc plated steel threaded stud.



Type	R	d	s	H	h 1	h	L	D
HK100403100	100	12	12*12	30	12	22	50	26
HK100403125	125	14	14*14	38	15	26	63	28

+863182239799

www.bonsheng.com

+863182239699

Email:sales@bonsheng.com