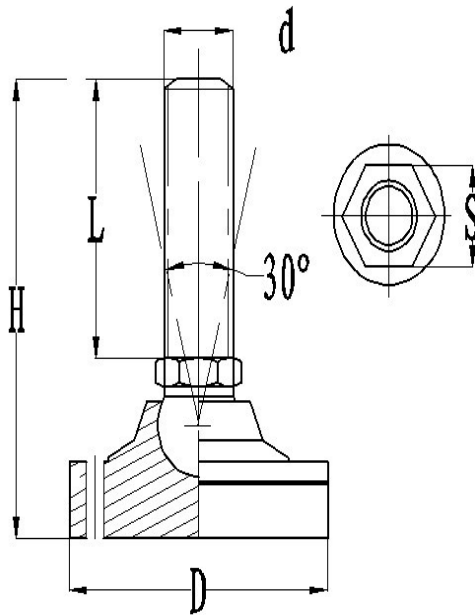


Bonsheng Machinery Accessories Co., Ltd

Floor-Anchor Mounting Foot MT400202



MATERIAL: Reinforced polyamide.

SURFACE: Satin.

COLOUR: Black .

INSERT: Zinc plated steel articulated, threaded stem.

ANCHORING TO THE FLOOR: The holes in the foot used for anchoring the mount to the floor, are supplied closed.

Art	Outer diameter (mm)	Inner diameter (inch)	Length (mm)	Heavy load (N)
MT400202801	80	M10	50,100,150	6000
MT400202802		M12		
MT400202803		M14		
MT400202804		M16		
MT400202805		M18		
MT400202806		3/8—16		
MT400202807		1/2—13		
MT400202808		5/8—11		
MT400202809		3/4—10		
MT4002021001	100	M10	50,100,150	7000
MT4002021002		M12		
MT4002021003		M14		
MT4002021004		M16		
MT4002021005		M18		
MT4002021006		M20		
MT4002021007		M24		
MT4002021008		3/8—16		
MT4002021009		3/4—10		
MT40020210010		5/8—11		
MT40020210011		1/2—13		

+863182239799

www.bonsheng.com



+863182239699

Email:sales@bonsheng.com