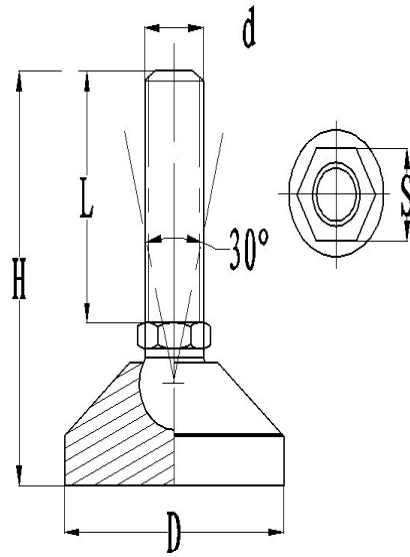


# Bonsheng Machinery Accessories Co., Ltd

## Mounting Foot MT400201



MATERIAL:  
Reinforced polyamide.  
Oils and greases resistant.

SURFACE:  
Satin.

COLOUR:  
Black (RAL 9011).

INSERT:  
Zinc plated steel articulated,  
threaded stem.

Art	Outer diameter (mm)	Inner diameter (inch)	Length (mm)	Heavy load (N)
MT400201401	40	M8	50,100	3000
MT400201402		M10		
MT400201403		M12		
MT400201404		3/8—16		
MT400201405		1/2—13		
MT400201501	50	M10	50,100	4000
MT400201502		M12		
MT400201503		3/8—16		
MT400201504		1/2—13		
MT400201601	60	M10	50,100	5000
MT400201602		M12		
MT400201603		M14		
MT400201604		M16		
MT400201605		3/8—16		
MT400201606		5/8—11		

+863182239799

www.bonsheng.com



+863182239699

Email:sales@bonsheng.com