

Bonsheng Machinery Accessories Co., Ltd

Solid Handwheels with Revolving Handle W010



Material:

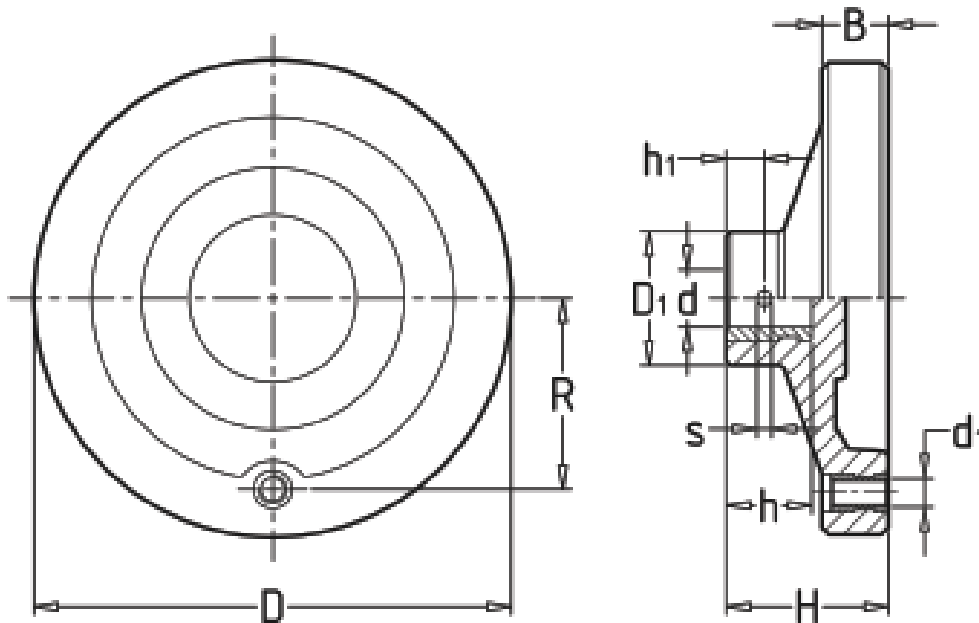
phenolic resin

Color:

Black

Special requirements:

the diameter of internal control can
Number and requirements of the custom



Art	D	D ₁	H	B	d	h	s	h ₁	d ₁	R
W-010080	80	25	33	12	10	16	3	5	M5	31
W-010100	100	28	33	14	12	18	4	6	M6	38
W-010125	125	30	40	16	12	18	4	6	M8	46

★Order: W-010080

+863182239799

www.bonsheng.com



+863182239699

Email:sales@bonsheng.com