

Bonsheng Machinery Accessories Co., Ltd

Knurled Knob HK100514



MATERIAL:

Bakelite.

SURFACE:

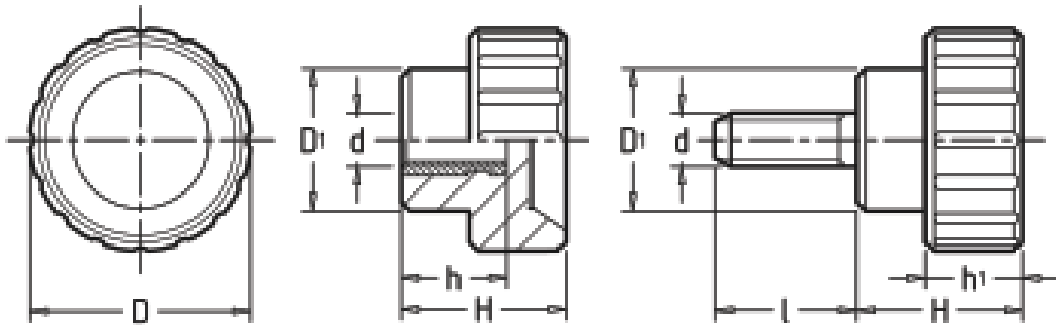
Satin.

COLOUR:

Black .

MAIN INSERT:

Zinc plated steel threaded stud



ART	D	H	d	h	I
HK100514016	16	13	M5	8	10 , 15, 20
HK100514020	20	16	M6	10	10,15,20,35
HK100514025	25	19	M6	12	20,25,30,35
HK100514032	32	22	M8	16	25,30,40

★Order: HK100514020

+863182239799

www.bonsheng.com

+863182239699

Email:sales@bonsheng.com

© BONSHENG-Reproduction prohibited