

Bonsheng Machinery Accessories Co., Ltd

Two Spoke Control Handwheel with Revolving Handle W-002



MATERIAL:

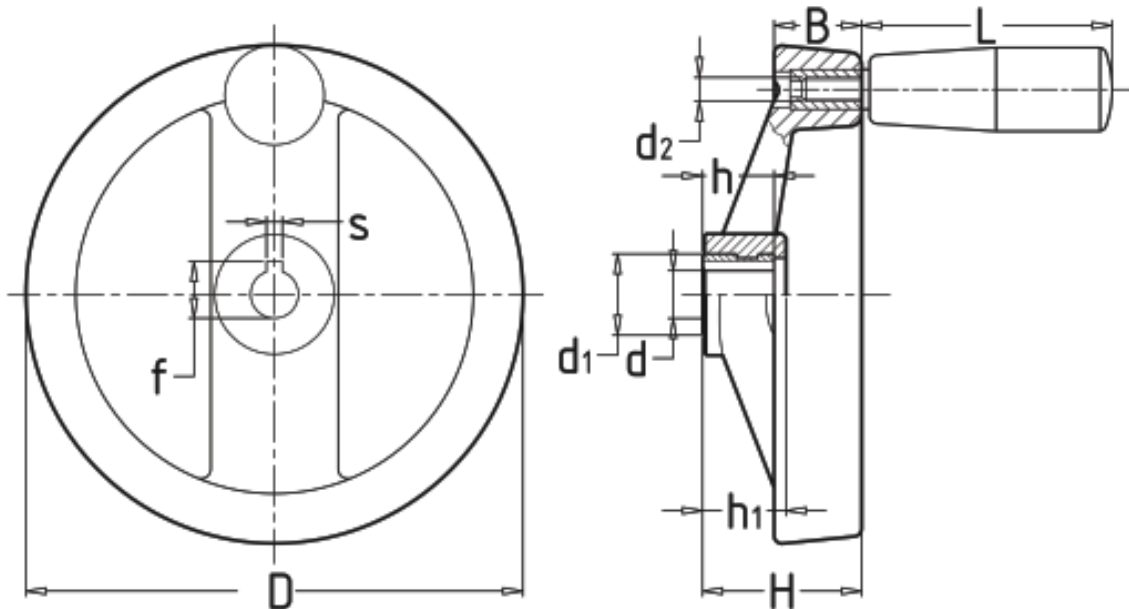
Nylon aluminium alloy

SURFACE:

Matte

COLOUR:

Black (RAL 9011).



Art	L	d	f	s	D	B	H	h
W002100	50	12	13.8	4	100	20	37	18
W002125	63	12	13.8	4	125	22	41	18
W002160	80	16	18.3	5	160	24	44	20
W002200	80/100	18/20	20.8	6	200	28	52	22

★Order: [w002125](#)+ MATERIAL

+863182239799

www.bonsheng.com



+863182239699

Email: sales@bonsheng.com