

Bonsheng Machinery Accessories Co., Ltd

Two Spoke Control Hand wheel with Foldaway Revolving Handle W-001



MATERIAL:

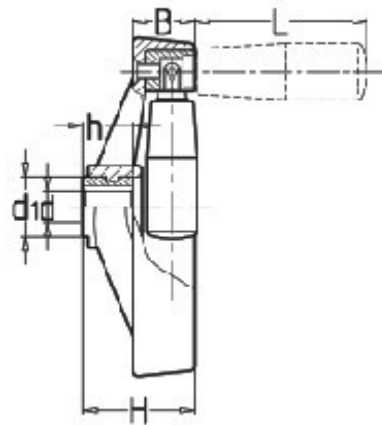
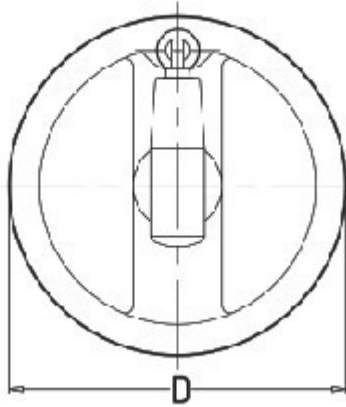
Reinforced and stabilized polyamide.
Oils and greases resistant.

SURFACE:

Matte

COLOUR:

Black (RAL 9011).



Art	L	d	D	d2	h	H	B
W001100	50	12	100	22	18	38	21
W001125	63	12	125	22	18	40	22
W001160	80	16	160	25	26.5	51	24
W001200	80/100	18/20	200	32	35	63	30

★Order: [w001125](#)

+863182239799
www.bonsheng.com

+863182239699

Email:sales@bonsheng.com

© BONSHENG-Reproduction prohibited