

Bonsheng Machinery Accessories Co., Ltd

HANDLE WITH THROUGH HOLE H-004



MATERIAL:

Acrylonitrile Butadiene
Styrene. (ABS)
Oils and greases resistant.

SURFACE:

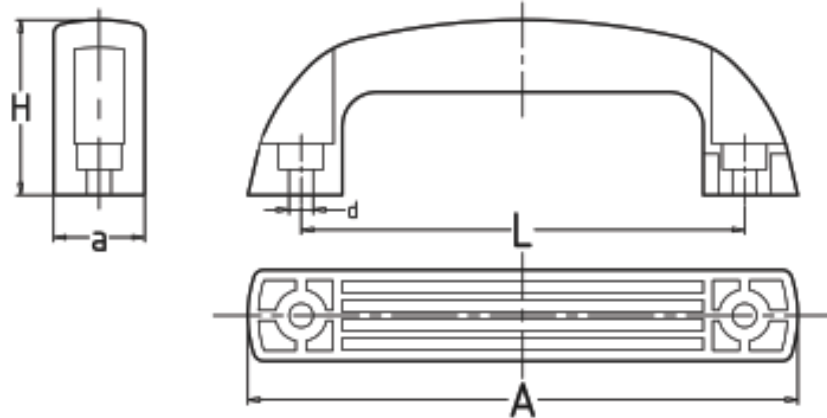
Satin.

COLOUR:

Black (RAL 9011)

SPECIAL REQUESTS:

- Number of different colors available upon request



Art	A	L	H	a	d	h
H004130	160	130	50	26	7	15
H004150	180	150	55	27	8.7	15
H004180	210	180	55	28	8.7	15

★Order: [H004130-B](#)

+863182239799

www.bonsheng.com



+863182239699

Email: sales@bonsheng.com